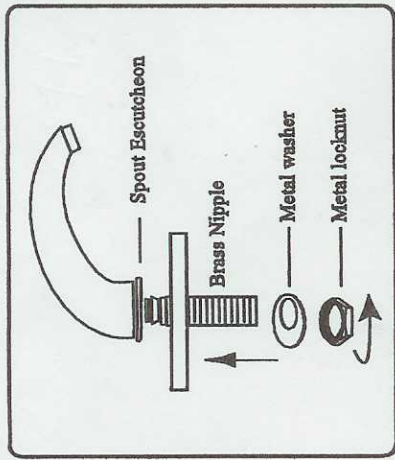
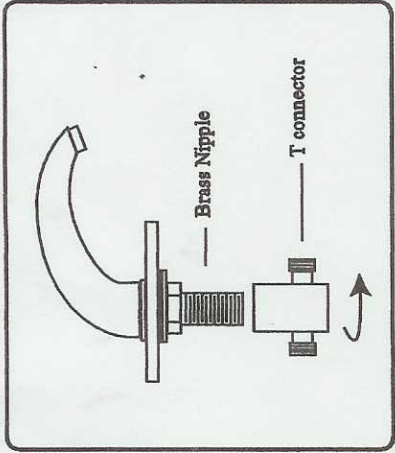




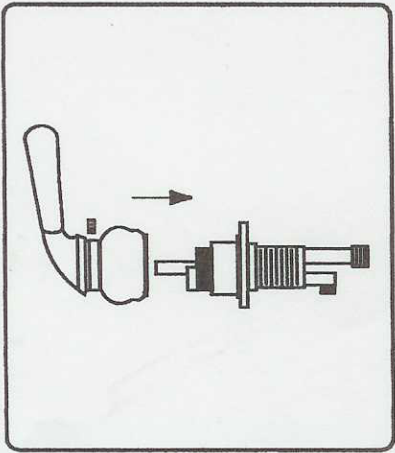
Turn off the water supply to the faucet under sink. Remove existing faucet. Clean area on sink surface for installation of new faucet. Make sure drain is closed or locked to avoid small parts from falling down the drain.



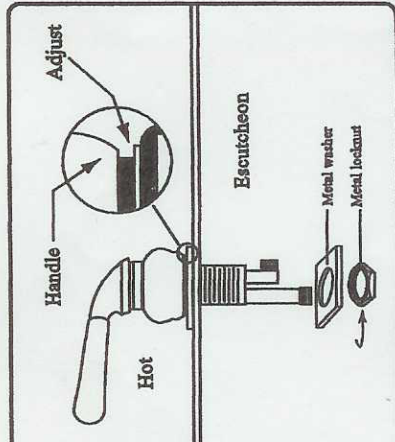
Install new faucet spout assembly into the center hole of the sink. Align spout and then insert the top-end of the brass nipple into the base of spout and then place spout escutcheon between spout and sink. Then tighten the mounting hardware (metal washer and locknut) underneath the sink.



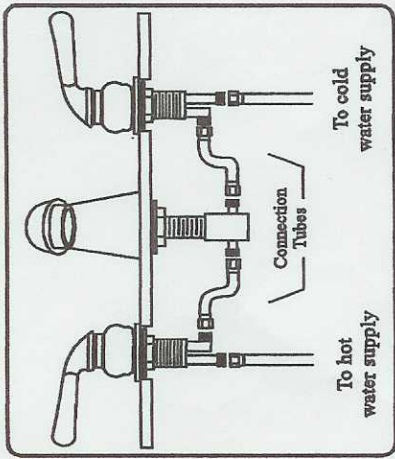
Screw on its "T" connector onto the bottom end of the brass nipple until it stops.



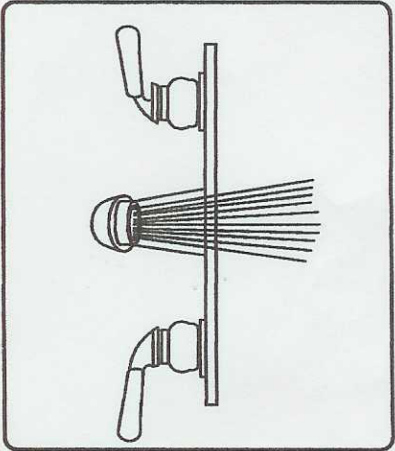
Please make sure that the handle is tightly in place with the set screw tighten. If the handle is loosened, tighten the set screw under the handle tip with Allen wrench.



Hold the handles in proper position and tighten the included mounting hardware (metal washer and locknut) from underneath the sink. Be sure the hot is on the left side and cold is on the right side. Handle/stem on the left (hot) is labeled with a red O-ring. Adjust position of some escutcheons at necessary height.



Connect included water hoses between the it connector and both hot and cold handle assemblies. Also, connect both hot and cold copper pipes in-coming water supply lines. Tighten firmly and be careful not to over-tighten.



Remove aerator then turn on water (both lines) for 1 min, and check for any leaks. This will remove debris in the pipe so the aerator will not be clogged. If properly installed, minor leaks can be stopped by tightening nuts.

(This faucet DOES NOT INCLUDE additional tubing and/or fittings which might be necessary to complete this job.) (Use Teflon tape or pipe compound on all water connections.)